

## About This Document

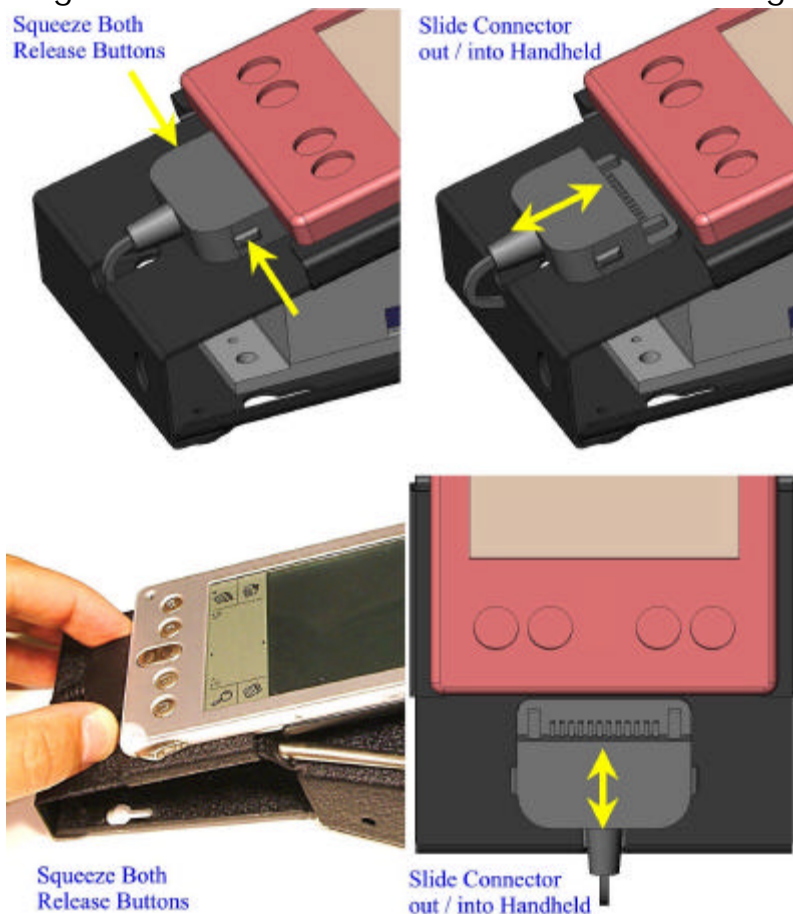
This document describes how to remove, do a soft reset and re-install the HandSpring Edge PDA mounted in the bar code reader cradle.

## Removing Handheld into Bar Code Reader Cradle

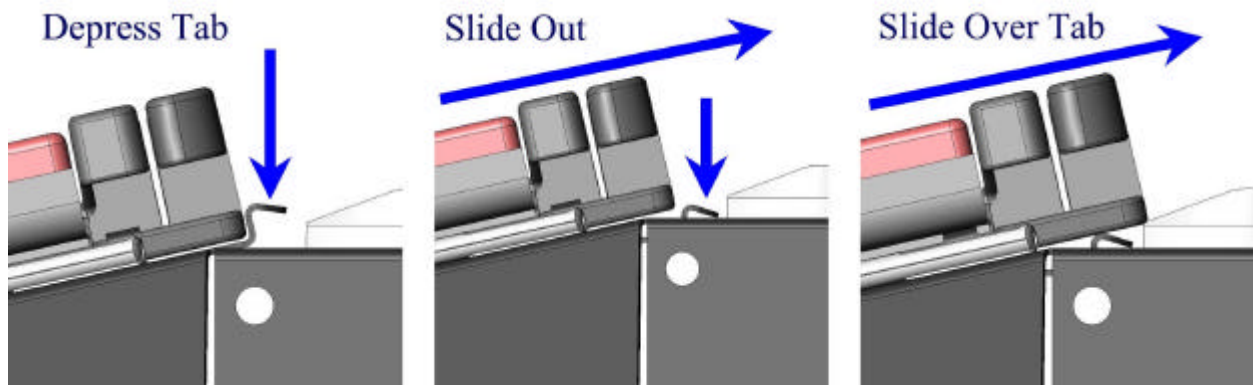
1. Release and Disconnect the Power connector (step 1 in *Removing Handheld from Bar Code Reader Cradle Diagram* and *Removing and Connecting Power Connector Diagram* below.).
2. Press down on *locking tab* so that CardTool reader can slide over it (see step 2 in *Removing Handheld from Bar Code Reader Cradle Diagram* and *Releasing Locking Tab Diagram* below)
3. While holding down *locking tab*, slide handheld back towards bar code reader. See step 3 in *Removing Handheld from Bar Code Reader Cradle Diagram* and *Releasing Locking Tab Diagram* below.



Removing Handheld from Bar Code Reader Cradle Diagram



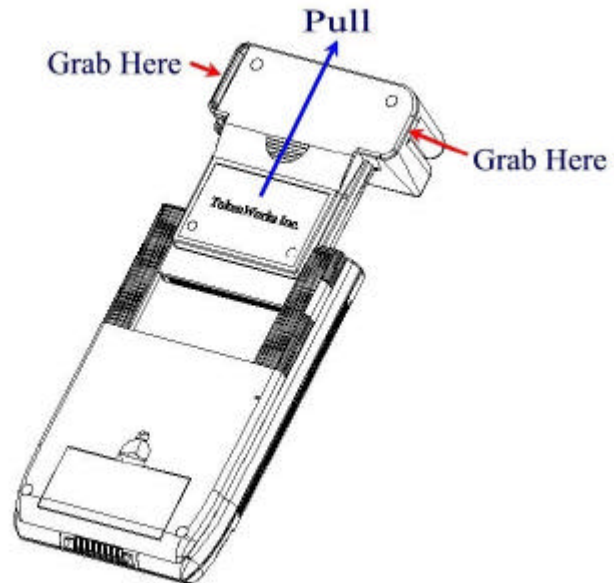
Removing and Connecting Power Connector Diagram



Releasing Locking Tab Diagram

## CardTool Magnetic Card reader Removal

To remove the CardTool, either use the thumb stop on the back of the unit to gradually push it out of the expansion slot or grab the CardTool at the base of the card slot and pull it away from the Handspring Visor in the same plane as the expansion slot. Try not to grab the CardTool by the top and bottom but rather each side at the base of the card slot. Grabbing the top and bottom of the CardTool will generate a force component, which will increase the friction and make it harder to remove. Note: If the Visor is turned off, removal of the CardTool (or any other module) turns the Visor on

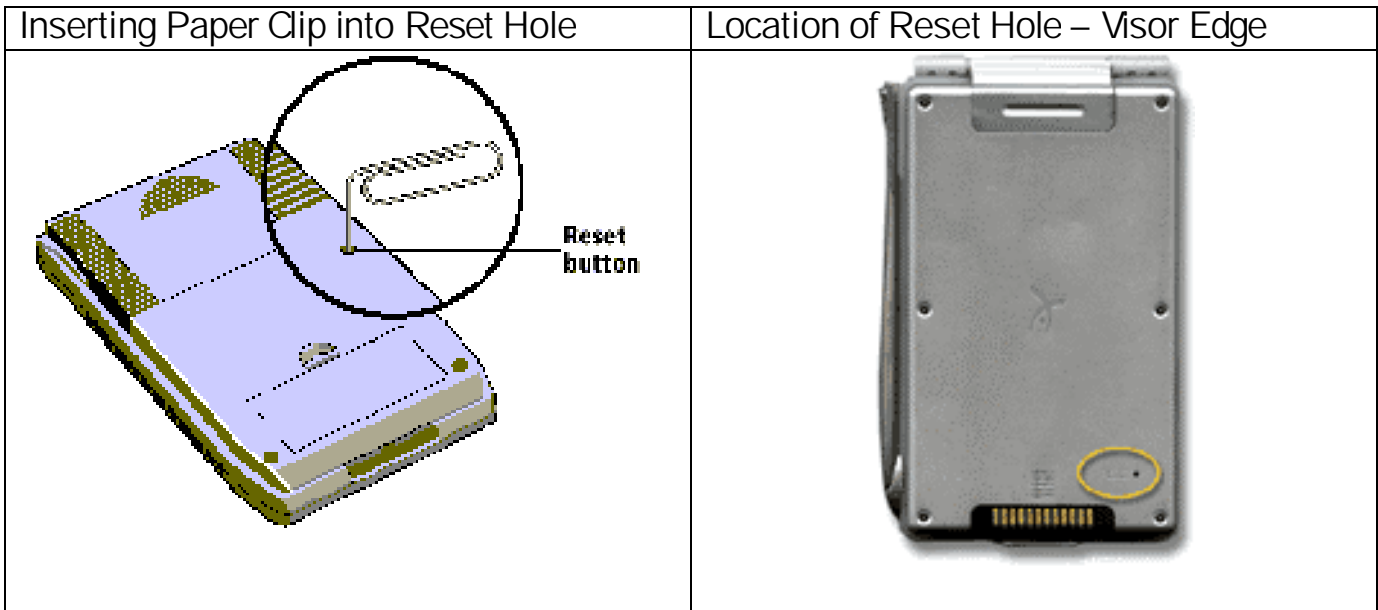


## Soft Reset

The soft reset procedure is used when computer no longer responds to buttons, cardswipes or screen taps. It will not erase the transaction data.

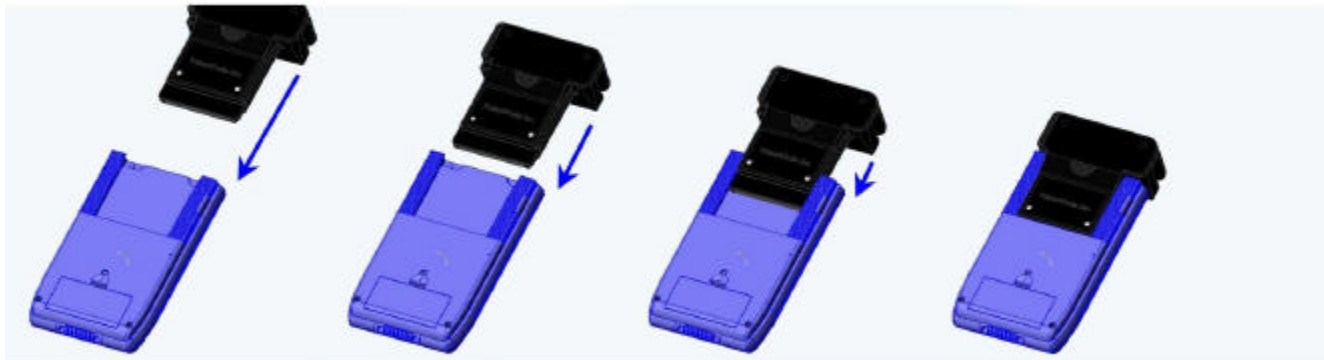
### Performing a soft reset

Unfold a paper clip (or similar object *without* a sharp tip), to gently press the reset button inside the hole on the back panel of your handheld.



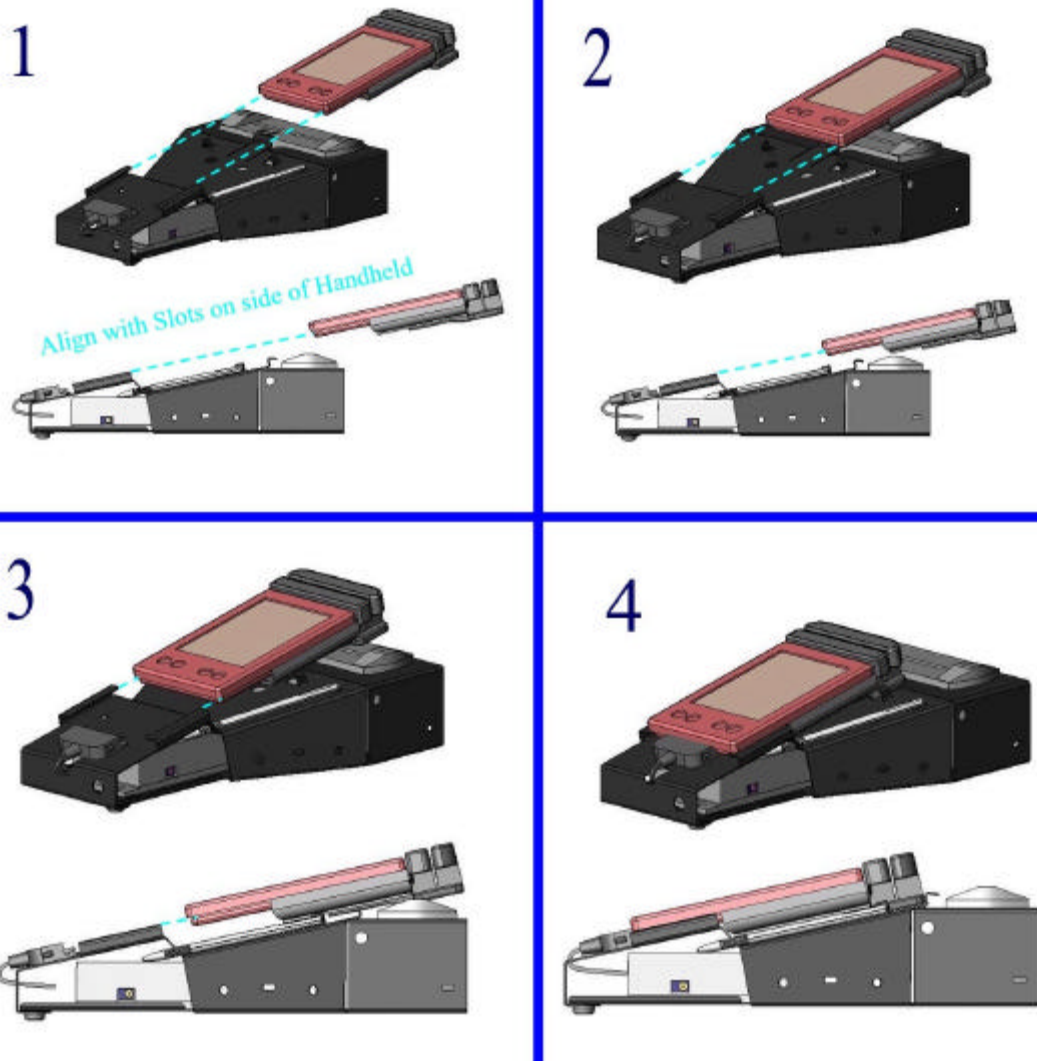
### Inserting the CardTool

To insert the CardTool, align the unit with the Handspring expansion slot (see figure 1) and gradually insert the unit. It should insert smoothly until it makes contact with the expansion slot stops. Do not force the unit into the expansion slot. If resistance is significant, withdraw CardTool and ensure there are no foreign objects in the expansion slot and that CardTool is properly aligned with the Visor expansion slot, then try again.



## Installing Handheld into Bar Code Reader Cradle

1. Make sure the CardTool Magnetic Card reader is already installed in the expansion slot of the Handspring Visor PDA.
2. Align the slots on the side of the handheld with the raised rails on the bar code reader cradle (see step 1 in figure below)
3. Insert raised rails into slots on side of handheld (step 3 in figure below) and slide handheld towards front.



4. Slide handheld along rails until raised tab (see step 3 in figure below) on bar code reader is visible. Then slide base of CardTool reader below raised tab.
5. Reconnect Power Connector (see step 4 in figure below).

